

# HYDRAULIC DOLLY LIFT

PLATFORM



**SHOWSDT**  
Scene Design & Technology

# HYDRAULIC DOLLY LIFT

## STAGE LIFT HYDRAULIC PLATFORM - AVAILABLE FOR RENTAL ONLY

Thanks to its robust construction and powerful hydraulic system, makes it safer and more fluid.

Equipped with a transport cart that can be leveled, it is possible to move and stabilize the platform according to the needs of the project.

Its hydraulic scissor allows to go from a minimum height of 4' (122 cm) to a maximum height of 6' (183 cm). All this with the possibility of varying its lifting speed.

The stage lift platform can be controlled by the Raynok automation system. Either by an Imperium console or with a small Raynok HC101B handheld controller.

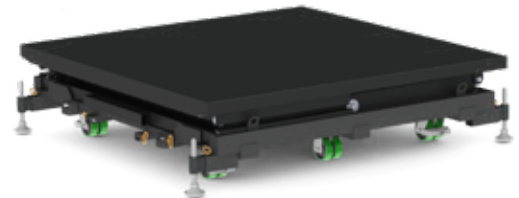
The Standard configuration comes with:

### FEATURES

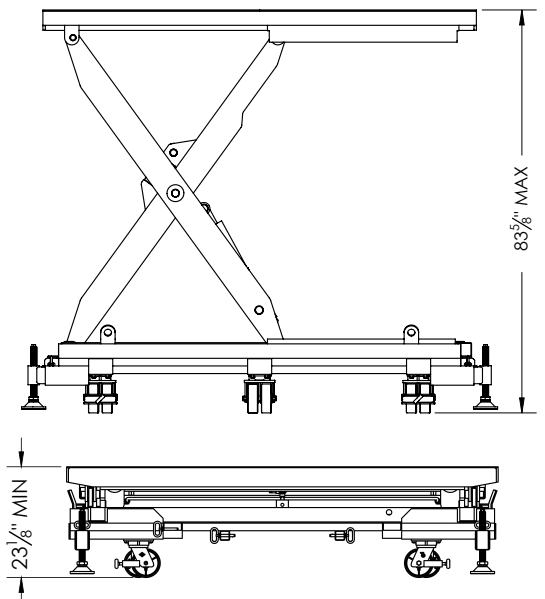
- 16 feet per minute
- Size 90"x 90".
- Lifting capacity 4000Lbs
- Input power TL4 / 30 amps / three phase / 220v
- Programmable size position
- Adjustment cylinders
- Stroke limiter
- Steel elements



UP POSITION

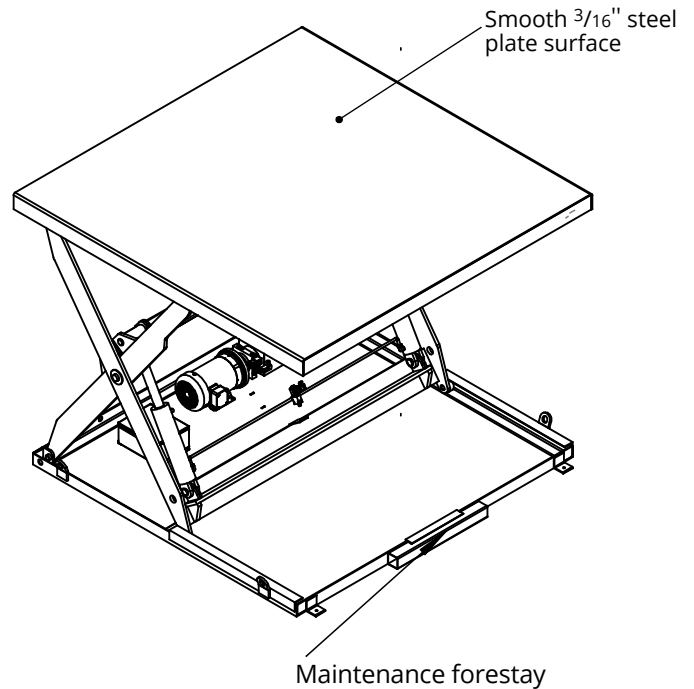
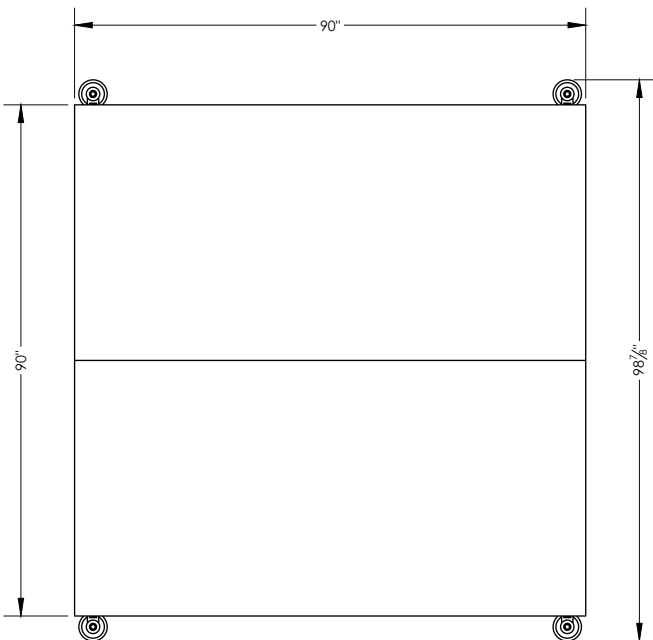
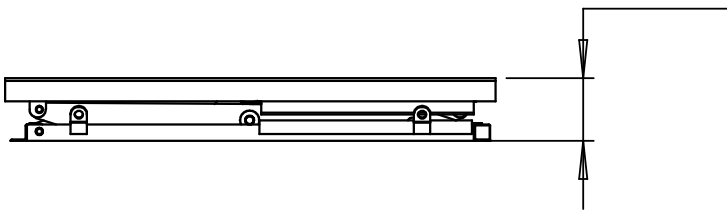
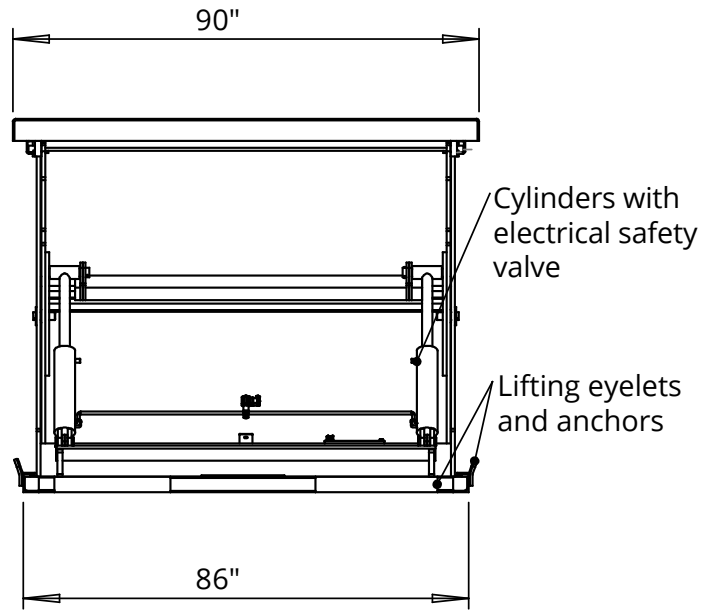
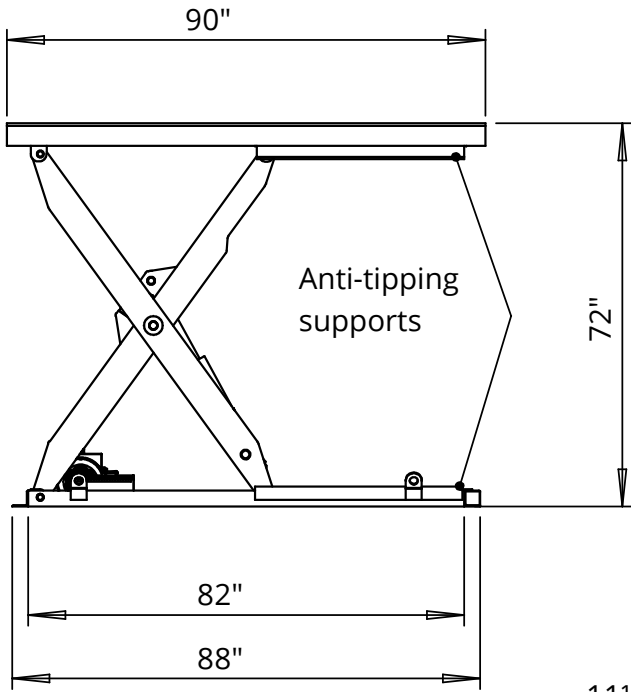


DOWN POSITION



DIMENSIONS ARE IN INCHES

# HYDRAULIC DOLLY LIFT



DIMENSIONS ARE IN INCHES